



new 2017

Fx550



 **REMA**[®]
WOODWORKING MACHINES

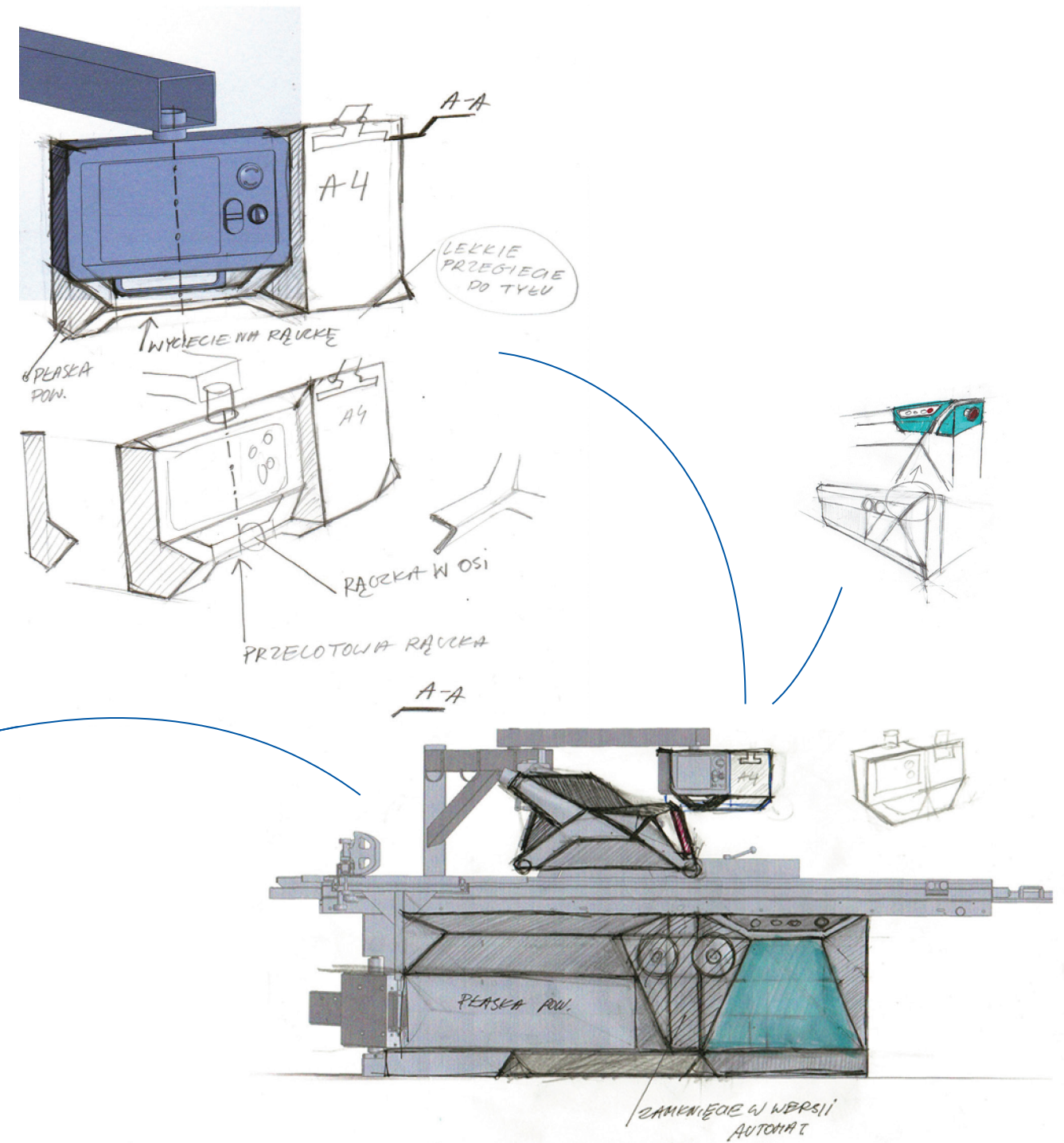
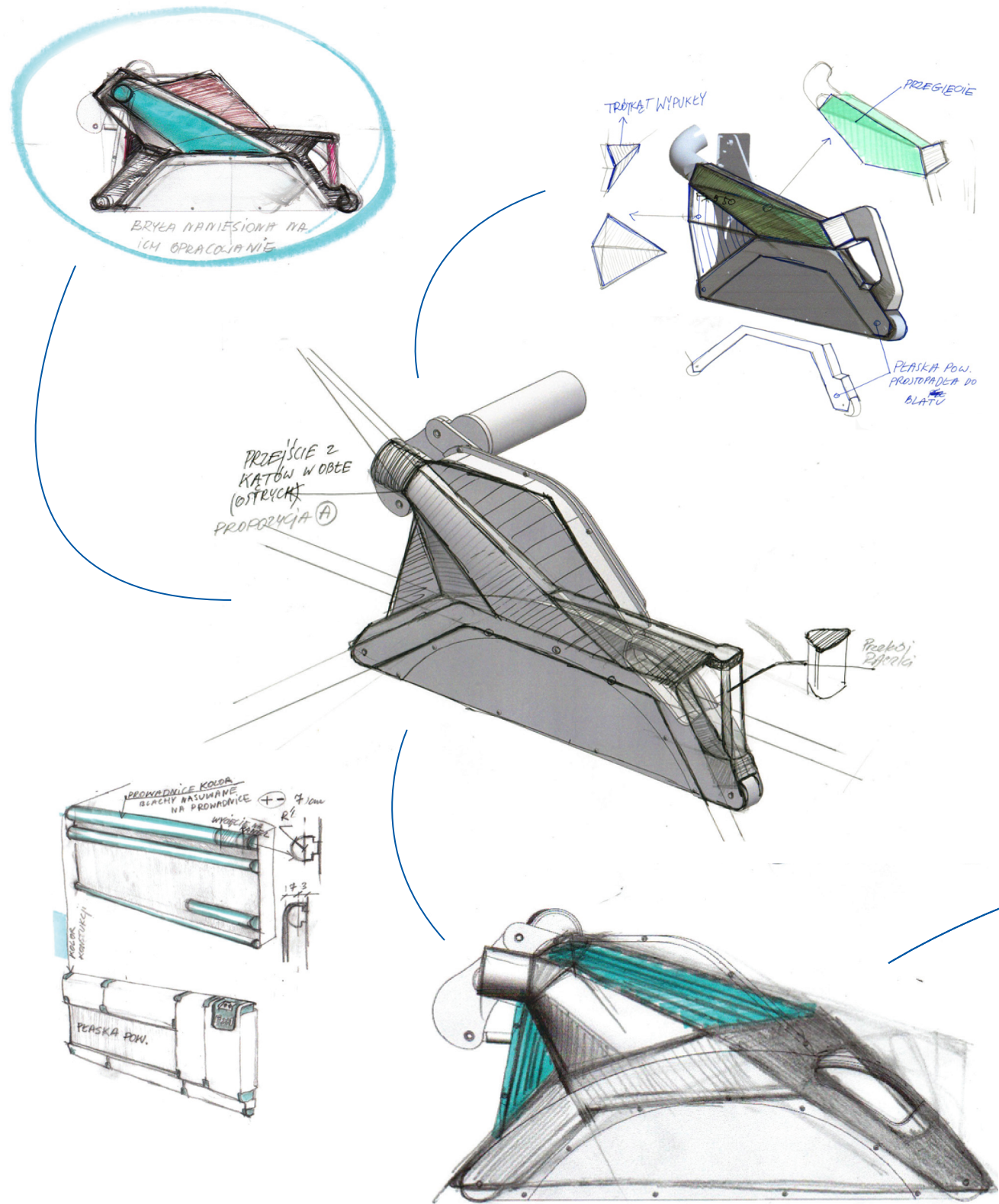
Fx550

REMA Fx550 is a completely new construction of the sliding table panel saw, which exceeds everything we have created so far. Operation is easier and faster with precise setting of the fences and cutting parameters. Innovative dust extraction systems improve working conditions. The machine is reliable due to the solid frame and durable internal mechanisms. You can cut many different materials with the maximum height of 200 mm (with Ø550 mm saw blade).

Standard powerful 6kW S1 engine handles solid wood and any type of furniture panel, also when you cut bunch of material. Ergonomic solutions combined with a new design of the panel saw give you more pleasure from the job.



First sketches of Fx550 ↓

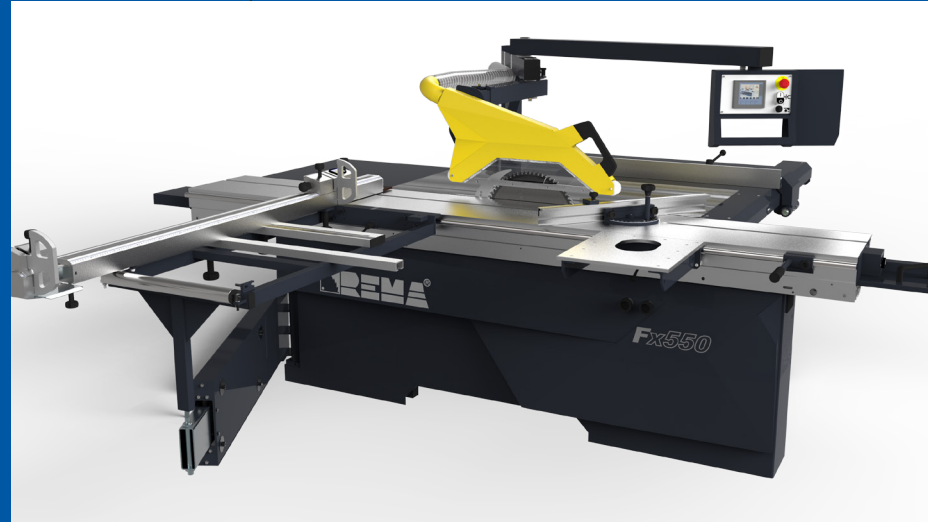


6-axis



6-axis adjust by servo drives, 7" professional touch panel, positioning of: crosscut fence, rip fence, height and angle of the main saw blade and height and vertical position of the scoring unit.

5 basic versions of Fx550 ↓



3-axis adjust by servo drives, 4" professional touch panel, positioning of: rip fence, height and angle of the main saw blade.

5-axis

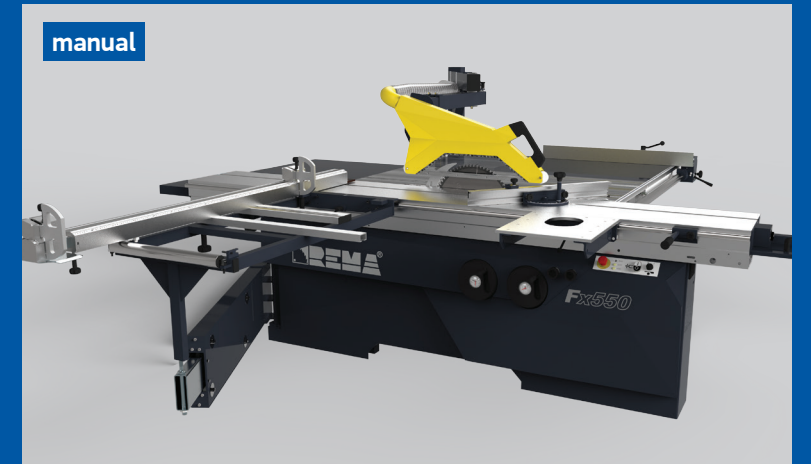


5-axis adjust by servo drives, 7" professional touch panel, positioning of: rip fence, height and angle of the main saw blade and height and vertical position of the scoring unit.

2-axis adjust by servo drives, 4" professional touch panel, positioning of: height and angle of the main saw blade.

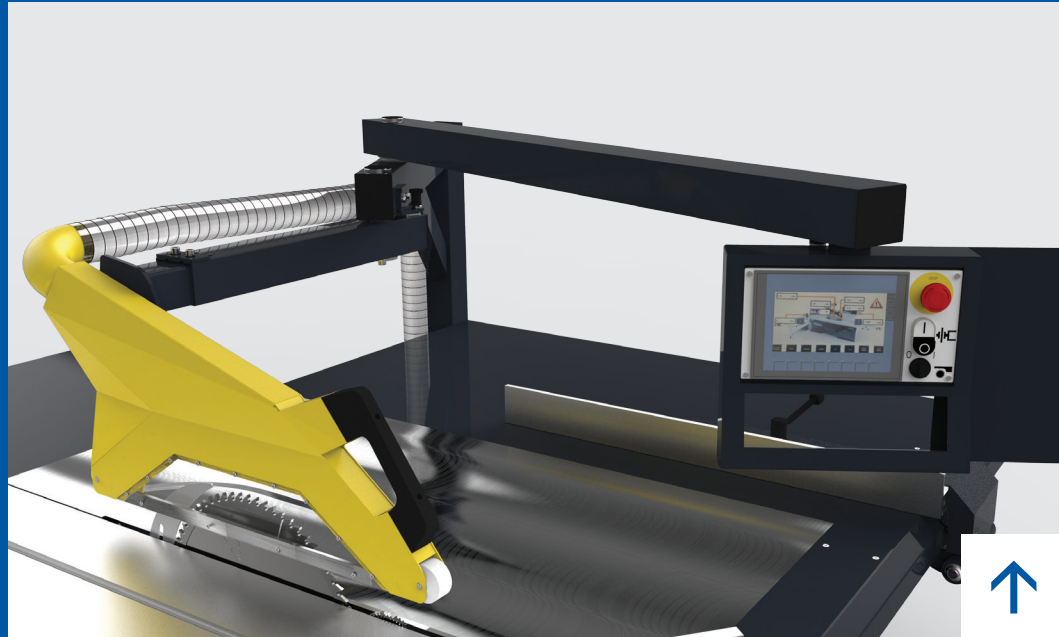


manual

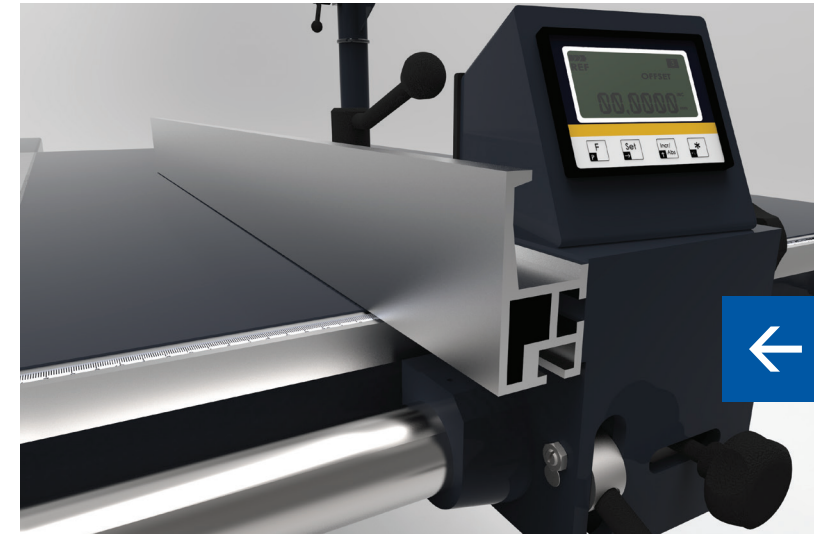


Manual adjustment of height and angle of the main saw blade.

Fx550 technical solutions ↓



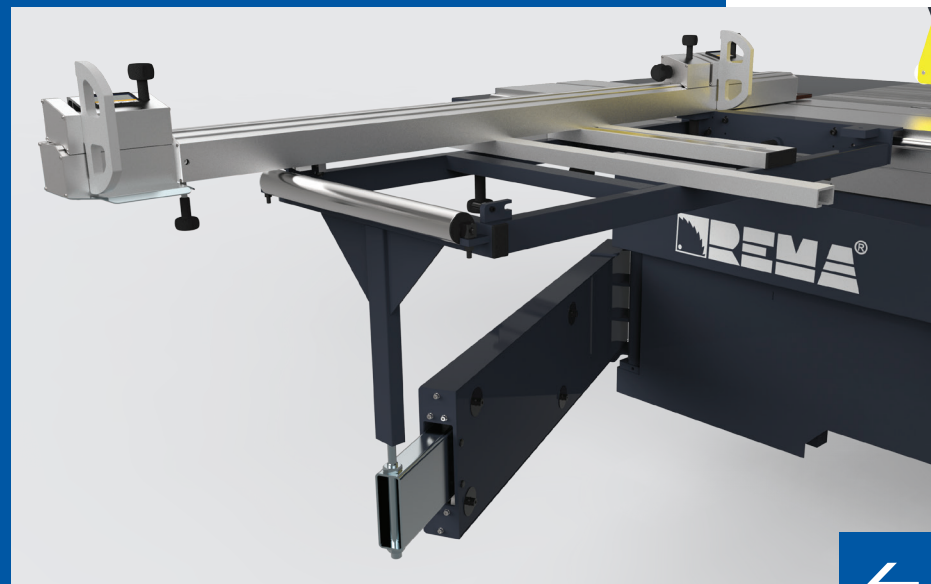
An easy-to-access high-resolution touch panel provides full control over the machine.



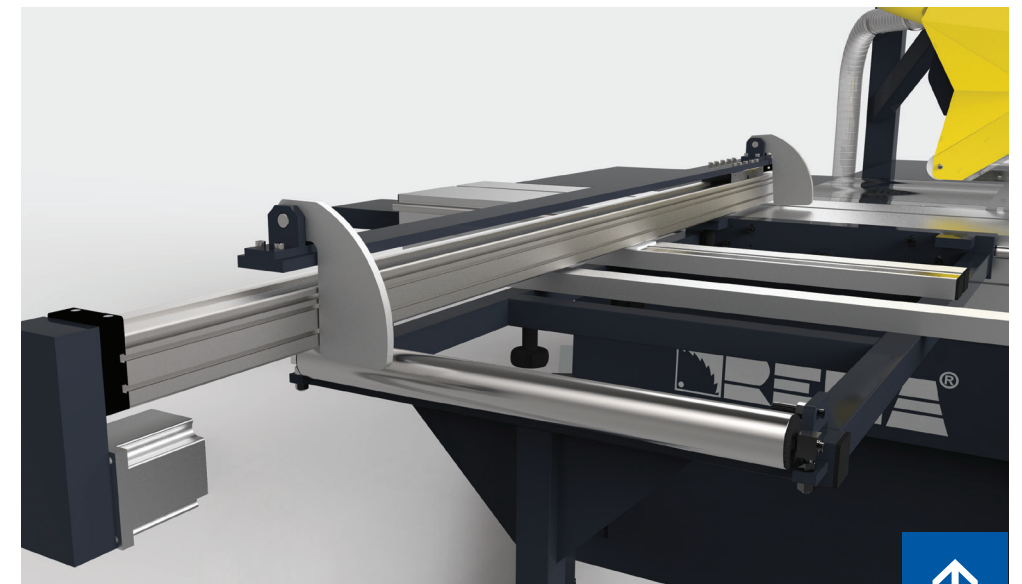
Electronic data reader of the rip fence with absolute memory function and 0.1 mm accuracy (optional for manual and 2-axis version).



New crosscut fence stopper with precise adjustment system and electronic reader with absolute memory function and 0,1 mm accuracy (optional).



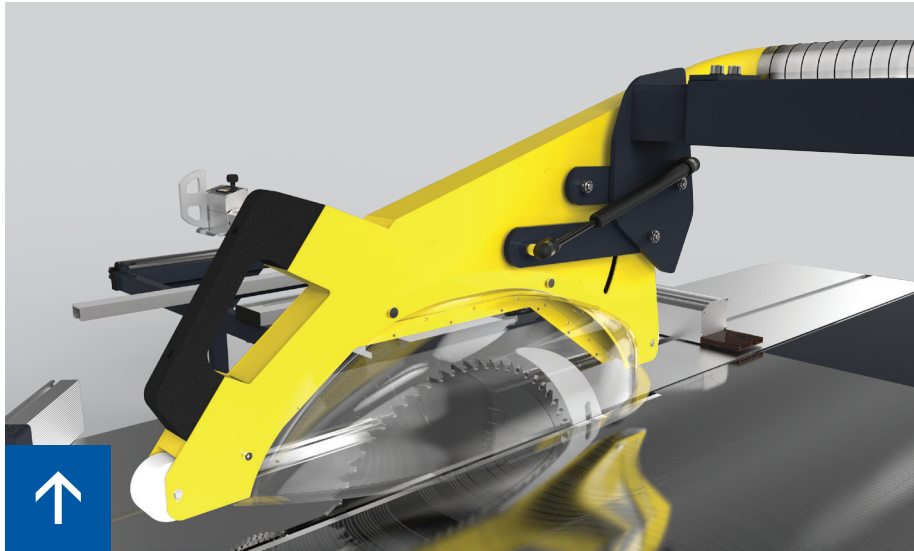
New crosscut fence swing support with greater strength and easier maintenance. It is possible to add 2 independent stoppers with electronic data readers (optional).



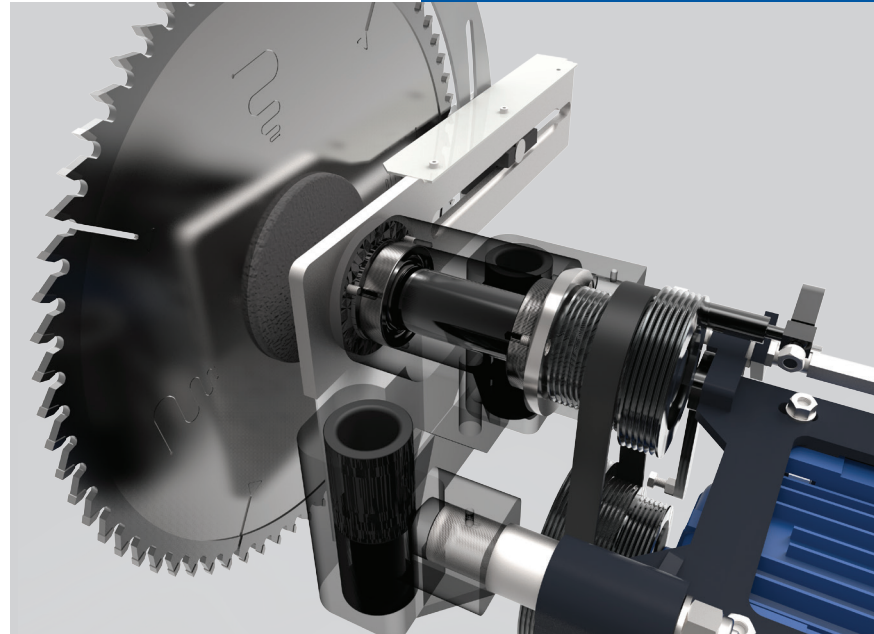
The 6-axis version is equipped with a new automatic crosscut fence controlled from the touch panel.



New automatic rip fence system – quick and precise, with the collision-free driveway to the main saw blade.

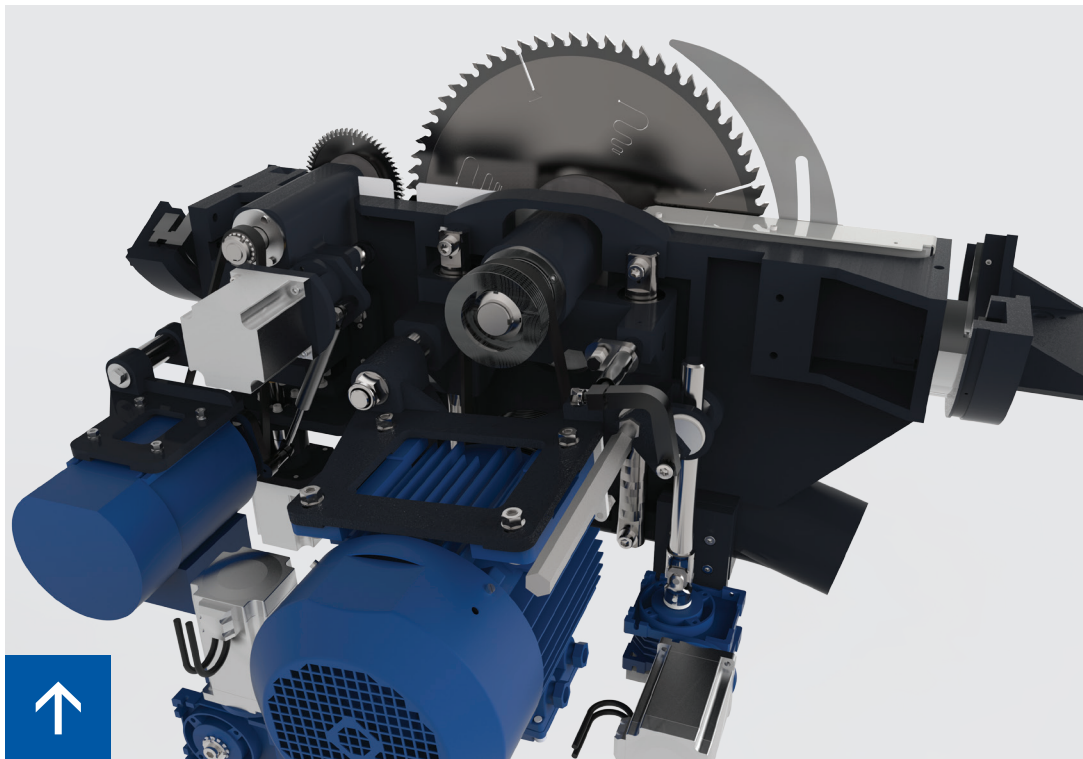
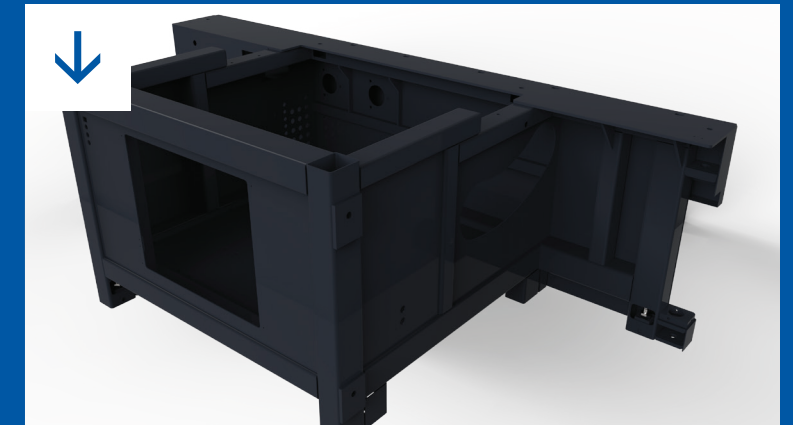


Innovative upper guard, easy to adjust with ergonomic handle. Gas spring helps in smooth adjust of the guard to the height of the material.



Innovative spindle shaft increase cutting accuracy and reduces vibrations of the machine.

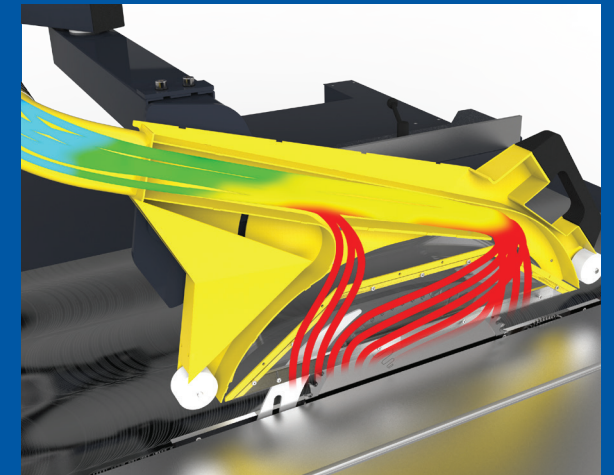
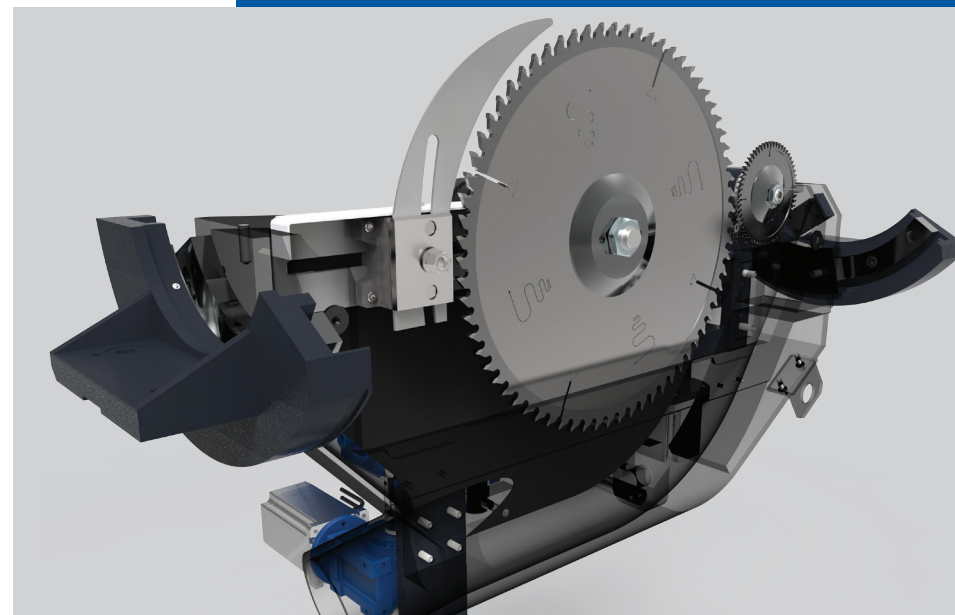
New machine frame made of steel sections connected with special lockers and welded. Highest rigidity of the machine structure, used only in the highest-class panel saws.



The new cutting unit design allows you to install saw blade with maximum diameter of Ø 550 mm (without scoring blade). Robust cast iron components ensure long-lasting machine's performance.



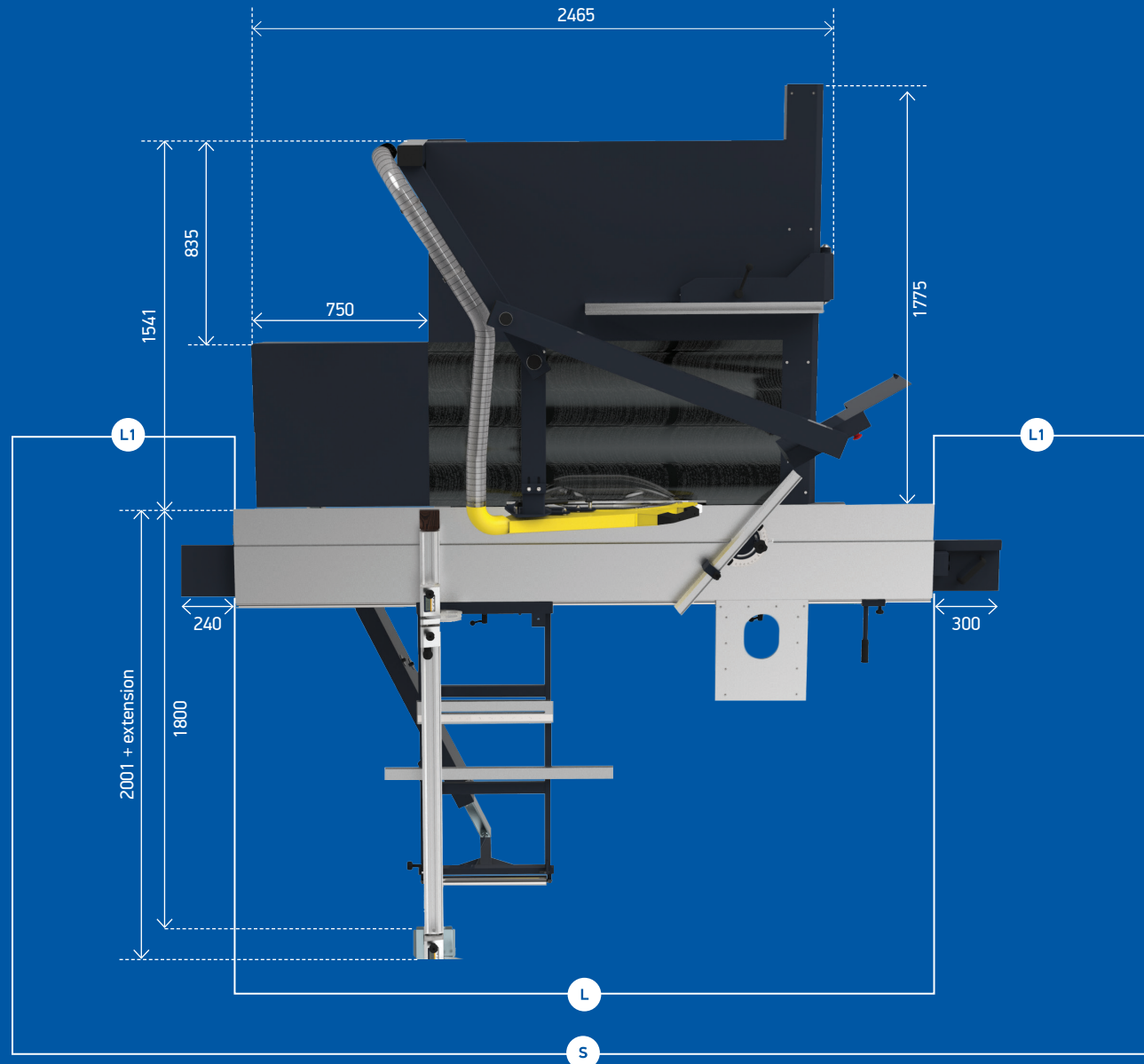
The iron cradle has been designed for optimum dust extraction. Minimal space below the scoring unit and the shorter outlet make it easier to extract the shavings.



The innovation of the upper guard is hidden inside. The shavings thrown by the saw blade are effectively caught by two zones with higher suction parameters.

Fx550

Specifications ↓



Fx550 sliding table options

Options	L	L1	S	Cutting length with crosscut fence
250	2500	1436	5372	2500
300	3010	1711	6428	3000
320	3200	1786	6772	3200
390	3900	2149	8198	3700

Working dimensions

Sliding table dimensions

Sliding table 250 – 416 × 2500 mm [W×H]

Sliding table 300 – 416 × 3010 mm [W×H]

Sliding table 320 – 416 × 3200 mm [W×H]

Sliding table 390 – 416 × 3900 mm [W×H]

Iron cast table diameters

705 × 1500 mm

Working height

890 mm

Machine diameters

Length

3000 mm with sliding table 250

3500 mm with sliding table 300

3700 mm with sliding table 320

4400 mm with sliding table 390

Width

3776 mm + extension = 5025 mm

Maximal height

1580 mm

Extraction outlet diameter

Ø 80 mm

Extraction outlet diameter - bottom

Ø 125 mm

Air requested (bottom extraction system)

900 m³/h

Air requested (top extraction system)

360 m³/h

Suction air speed

28 m/s

Weight

1400 kg

Cutting parameters

Main saw blade diameter	Ø 300 – Ø 550 mm	
Sawing height depending on saw blade and angle	0°	45°
→ Ø 300	0–75 mm	0–50 mm
→ Ø 350	15–100 mm	10–70 mm
→ Ø 400	40–125 mm	28–85 mm
→ Ø 450	73–150 mm	50–105 mm
→ Ø 500	90–175 mm	63–122 mm
→ Ø 550	120–200 mm	85–140 mm
Saw blade tilting	0–45°, 0–46° (option)	

Cutting length with a crosscut fence

Sliding table 250	2500 mm
Sliding table 300	3000 mm
Sliding table 320	3200 mm
Sliding table 390	3700 mm

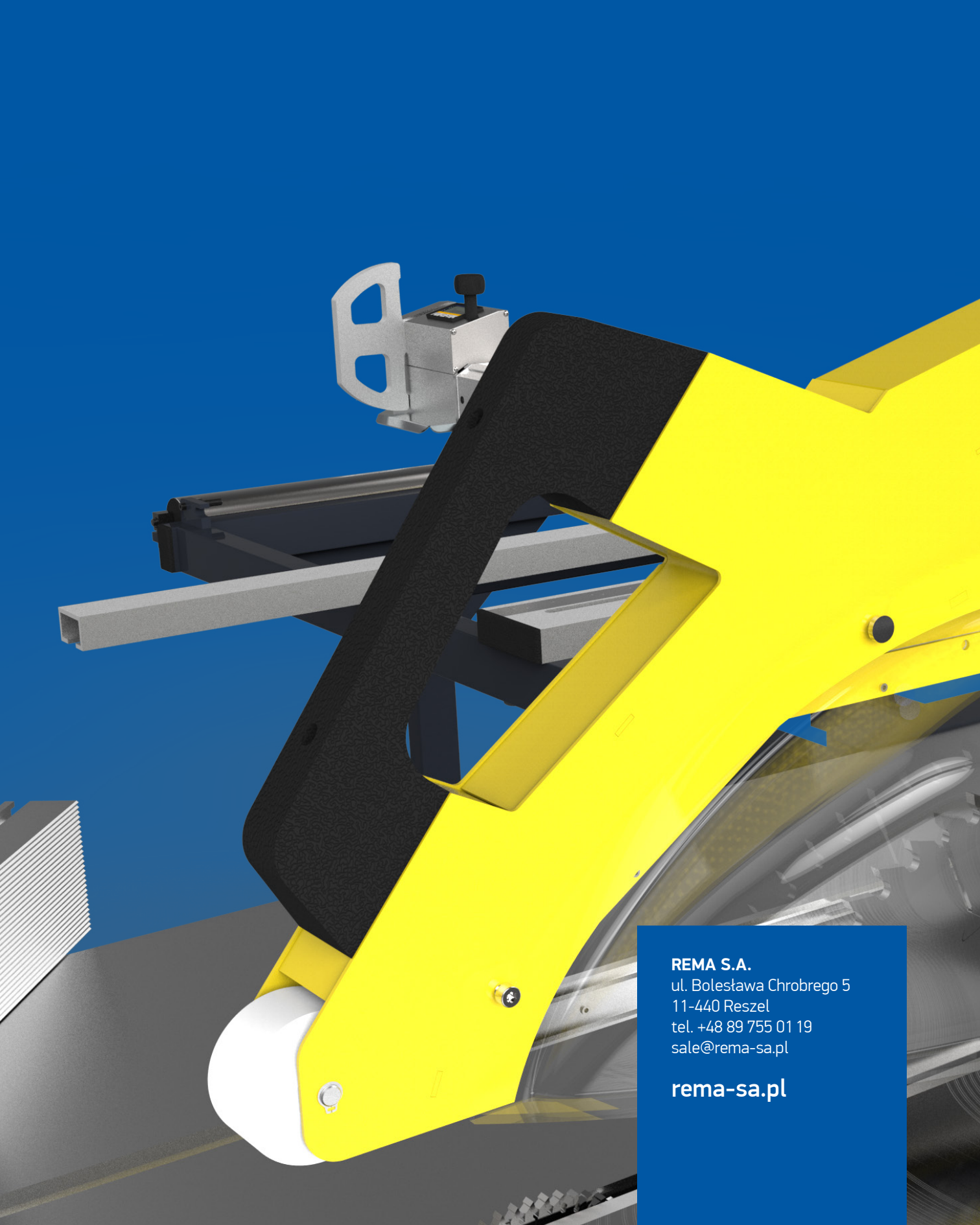
Cutting width with the crosscut fence

Stopper on the crosscut fence	170 – 1840 mm
Stopper with micro-regulation on the crosscut fence	170 – 1682 mm
Extension	1950 – 3200 mm
Stopper with electronic reader	213 – 1845 mm
Stopper with electronic reader and with micro-regulation	213 – 1685 mm
Maximal distance of the rip fence	1400 mm

Drives parameters

Main motor power	6 kW / 7,5 kW – option
Scoring unit motor power	0,75 kW
Scoring unit saw diameter	Ø 120 – Ø 130 mm
Scoring unit rotation speed	8500 rpm
Main spindle tip diameter	Ø 30 mm
Scoring unit spindle diameter	Ø 20 mm
Main spindle rotation speeds (without variable speed adjustment)	3500 / 4500 / 6000 rpm

* Machine specifications are subject to change. In case of doubt, the parameters indicated in the individual offer are binding.



REMA S.A.

ul. Bolesława Chrobrego 5

11-440 Reszel

tel. +48 89 755 01 19

sale@rema-sa.pl

rema-sa.pl